

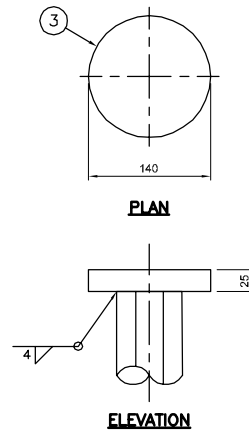
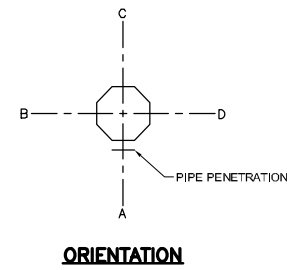
**BILL OF MATERIALS**

MK. NO.	QTY. REQ'D.	DESCRIPTION	SIZE	MATERIAL	REMARKS	LINE NO.	
		<b>VERTICAL EXTENSION TO 10.7 m (35') – E</b>					1
1	1	OCTAGONAL SECTION SHAFT	127 A/F – 75 A/F x 3.083	CSA G40.21 350W		2	
2	1	EXTENSION FLANGE PLATE	16 x 228 x 228	CSA G40.21 300W		3	
3	1	MASS DAMPER PLATE	140 DIA. x 25 THK.	CSA G40.21 300W		4	
4	4	EXTENSION FLANGE PLATE BOLTS	19 (3/4") DIA. x 70	ASTM A325	SEE DETAIL C	5	
5	1	BACK-UP STRIP PLATE	4.554 x 40	CSA G40.21 350W		6	
6	1	PIPE PENETRATION (1 1/2") C/W PLUG	48 O.D. X 25	ASTM A53 GR. B SCH. 40	REMOVE BURRS AND SHARP EDGES	7	

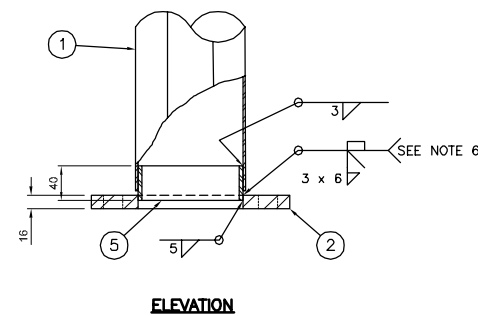
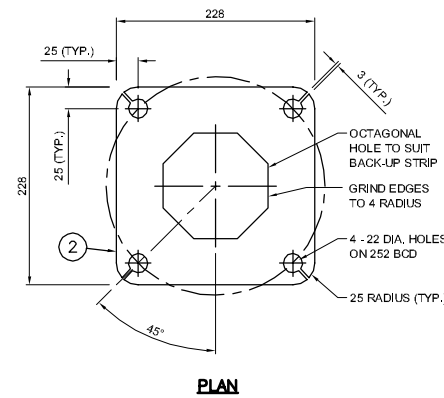
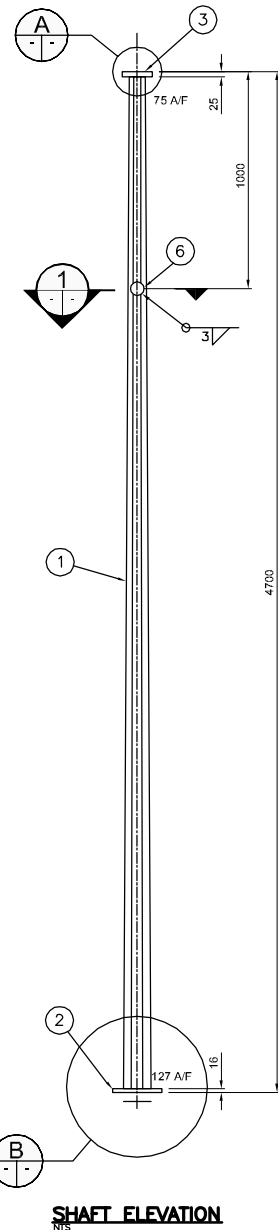
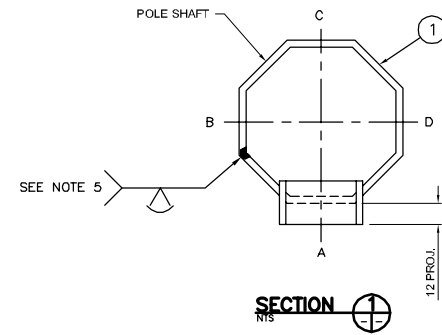
APPROXIMATE TOTAL MASS = 46 kg

**NOTES:**

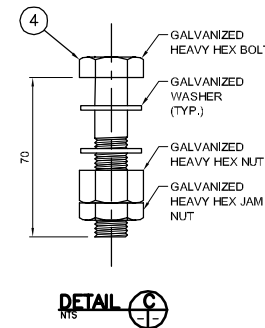
- ALL MATERIALS, EXCEPT STAINLESS STEEL ITEMS, SHALL BE HOT DIP GALVANIZED IN ACCORDANCE WITH ASTM A123-09 (PLUS LATEST REVISIONS) WITH NET RETENTION OF 610 g/m<sup>2</sup>.
- PROVIDE RAISED IDENTIFICATION NUMBER WITH WELDING ELECTRODE AS PER SPECIFICATION, STRUCTURE CODE = E.
- SHIP WITH NUTS AND WASHERS INSTALLED.
- GRIND ALL SHARP POINTS AND EDGES.
- LONGITUDINAL SEAM WELD SHALL HAVE 60% MINIMUM PENETRATION EXCEPT WITHIN 150 mm OF EXTENSION FLANGE PLATE AND MASS DAMPER PLATE SHALL BE COMPLETE PENETRATION.
- EXTERIOR WELD JOINING SHAFT TO EXTENSION FLANGE PLATE SHALL BE AN UNEQUAL LEG COMPLETE PENETRATION WELD WITH THE LONG LEG OF THE WELD ALONG THE SHAFT, TERMINATING AT 30" FROM THE SHAFT'S SURFACE.



**MASS DAMPER PLATE DETAIL**



**EXTENSION FLANGE PLATE DETAIL**



**REDUCED DRAWING  
N.T.S.**

B.M. ELEV.	DESIGNED BY	CDW				CITY DRAWING NUMBER N/A
	DRAWN BY	JGW				
	CHECKED BY	SSR	RELEASED FOR CONSTRUCTION	CONSULTANT PROJECT NUMBER 12-5954		
	APPROVED BY	—				
2	REVISED BY DILLON CONSULTING	1/10/14	CDW	HOR. SCALE	NTS	
1	ISSUED BY DILLON CONSULTING	1/14/13	CDW	VERTICAL SCALE	NTS	
NO.	REVISIONS	DATE	BY	DATE	DATE	